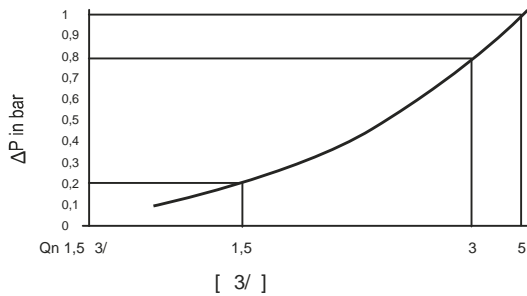
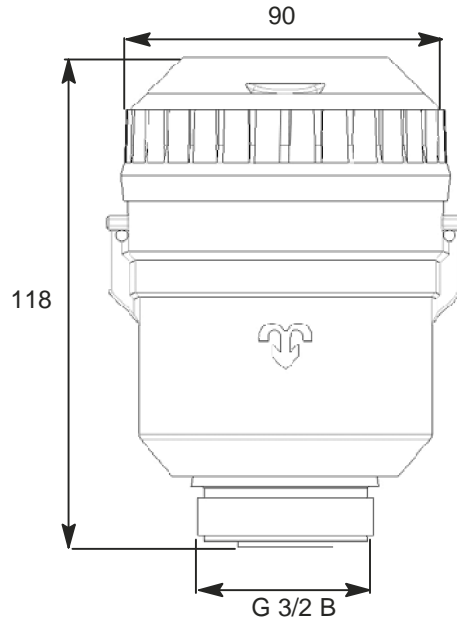
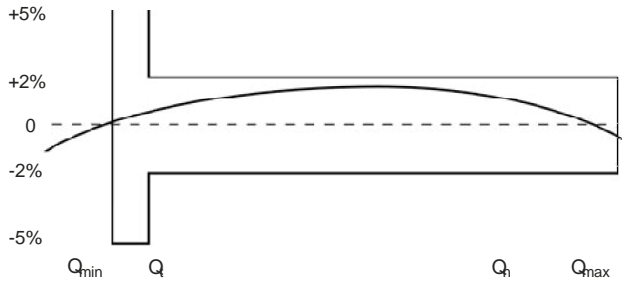


- " Bonyto G 3/2 B
- " 30°C (50°C)
- "
- " EWG- D C
- " (2 . /)
- "
- "
- " 350°
- "
- "
- "
- "Hydro-Funk
- " "Pulsar" ()
- " "Draco" ()

		116
		R-MKCONC
	DN	15
	Q _h ^{3/}	1,5/2,5
	Q _{min} /	5
	Q /	12
	Q _{max} ^{3/}	5
		2
		C
		16
	°C	0 - 30
	AG Zoll	G ^{3/2} B
		1,11
(. . . .)	/ .	1
	.001 /	.100000 ³



116	Qn/Pn	R-MKCONC	G ³ / ₂ B	30 °C	C	116 001 01
	1,5 3/ / 16					

HYDRO-FUNK-	"Kompakt"	581 000 01
Pulsar ()		570 001 11
Draco- ()		512 000 14
		620 000 03